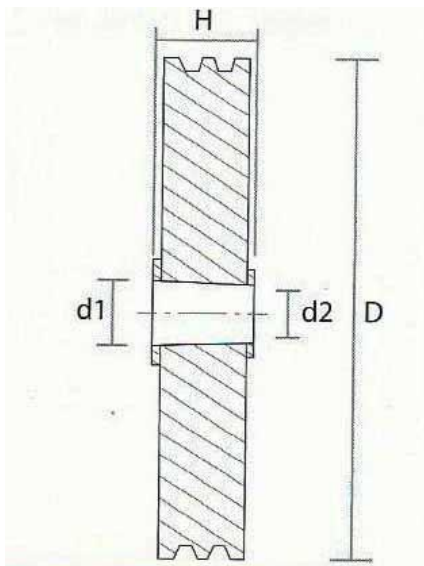




Zona Industrial
La industria en línea

Polea de Transmisión

CLAVE	MODELO	DIMENSIONES (mm)				RANURAS		APTO PARA MODELOS DE COMPRESORES
		D	d1	d2	H	No.	TIPO	
9151	A150MM	150	20	18	33	1	A	SG1051, YAH1051
9152	A190MM	190	20	18	36.5	1	A	SG1065, YAH1065
9153	A265MM-1	265	20	18	37.5	1	A	SG2051, DV2051
9154	A265MM-2	265	24	22	44	1	A	SG2051A, SG2065, DV2065
9156	A320MM	320	24	22	52	1	A	DHD2065
9162	2A265MM	265	35	30.5	44	2	B	SG3065, DW3065
9164	2B350MM	350	35	30.5	44	2	B	SG2080, SG3080, SG3090, YAV2090T, YAW3090T
9166	2B425MM	425	40	40	72.5	2	B	SG1105T, YAH1105T, YAH1105TX
9167	2B480MM	480	40	40	73	2	B	SG2105T, YAV2105T, YAV2105TX
9172	4B515MM	515	55	55	87.5	4	B	SG1155T, YAH1155T



WWW.ZONAINDUSTRIAL.MX